

## Electric iron controller

Item No.	EIC01 Series	Description	Electric iron controller	Version	7
Page	1 of 6		Publish Date	Sep. 23, 2020	

### ● Function

1. Automatically shut-off, 30 seconds after in horizontal position without movement.
2. Automatically shut-off, 8 minutes after in vertical position without movement.
3. Automatically shut-off, 30 seconds after in left tilting or right tilting position without movement.
4. Automatically shut-off alarm.
5. LED indication



### ● Application

1. Electric steam iron

### ● Function illustration

1. Automatically shut-off protection and LED indication

After power-on the electric iron, the LED will light up. When the electric iron holds more than 30 seconds in horizontal position or more than 8 minutes in vertical position, the LED will start flashing and the power will be cut off automatically. When LED is flashing, changing the electric iron from vertical position to horizontal position or from horizontal position to vertical position will change the state, LED will light up and the controller will start re-timing again. In any time, changing the electric iron from current position to another position will start re-timing the time of auto-power power-off.

2. Automatic power-off protection for being tilted condition

After power-on the electric iron, the LED will light up. If the electric iron was tilted in left position or in right position for more than 30 seconds, the LED will start flashing and the power will be cut off automatically.

3. Buzzer

When LED is flashing, buzzer will sound 6 times and it indicates the power being cut off automatically.



## Electric iron controller

Item No.	EIC01 Series	Description	Electric iron controller	Version	7
Page	2 of 6		Publish Date	Sep. 23, 2020	

## ● PATENTS

1. Taiwan Patent No. M 484137
2. Taiwan Patent No. M 430068
3. Taiwan Patent No. I 451463
4. Taiwan Patent No. I 441226
5. Taiwan Patent No. I 556091
6. China Patent No. ZL 201220059068.3
7. China Patent No. ZL 201420194486.2
8. China Patent No. ZL 201210040313.0
9. U.S.A. Patent No. US 8,916,814 B2
10. U.S.A Patent No. US 9,533,442 B2

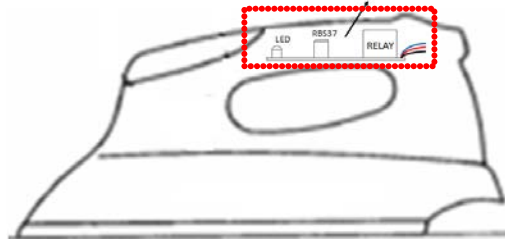


Electric iron controller

Item No.	EIC01 Series	Description	Electric iron controller	Version	7
Page	3 of 6		Publish Date	Sep. 23, 2020	

4. Suggestion for the placement of electric iron controller.

Electric iron controller



5. Function illustration

Condition	Illustration	Function
Moving forward and backward.		Start heating
Over 8 minutes in Vertical position.		Stop heating
Over 30 seconds in horizontal position without movement.		Stop heating
Over 30 seconds when left or right tilted.		Stop heating



Electric iron controller

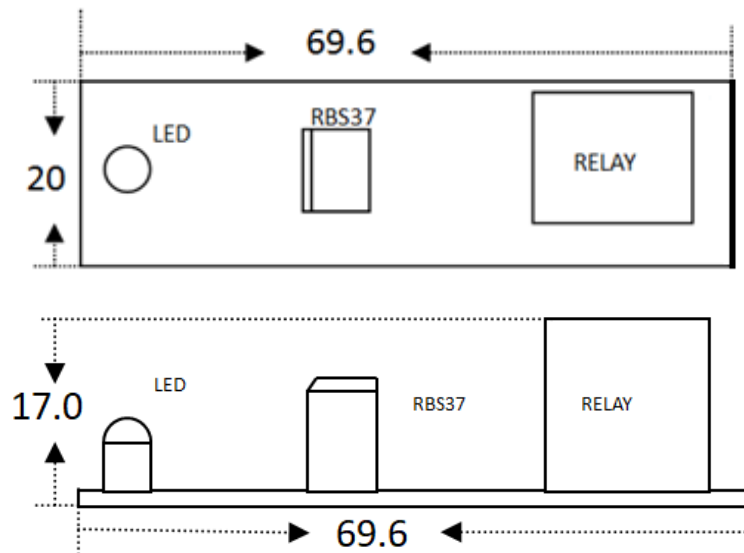
Item No.	EIC01 Series	Description	Electric iron controller	Version	7
Page	4 of 6		Publish Date	Sep. 23, 2020	

● Technical Requirements

Project	Model	Specification
Operating Voltage and Frequency	EIC010100	AC110V±10% , f=60Hz
	EIC010200	AC110V±10% , f=50Hz
	EIC010300	AC220V±10% , f=60Hz
	EIC010400	AC220V±10% , f=50Hz
Operating Temperature	---	-10°C ~+70°C
Storage Temperature	---	-20°C ~+80°C
Ability of heating load	---	1200W
Static power consumption	---	≤1W

● Dimensions and positions (Unit: mm, Tolerance: ±0.25mm)

Dimensions of the module : 69.6(L) \* 20(W) \*17 (H)



### Electric iron controller

Item No.	EIC01 Series	Description	Electric iron controller	Version	7
Page	5 of 6		Publish Date	Sep. 23, 2020	

● Wiring description

1. Wiring

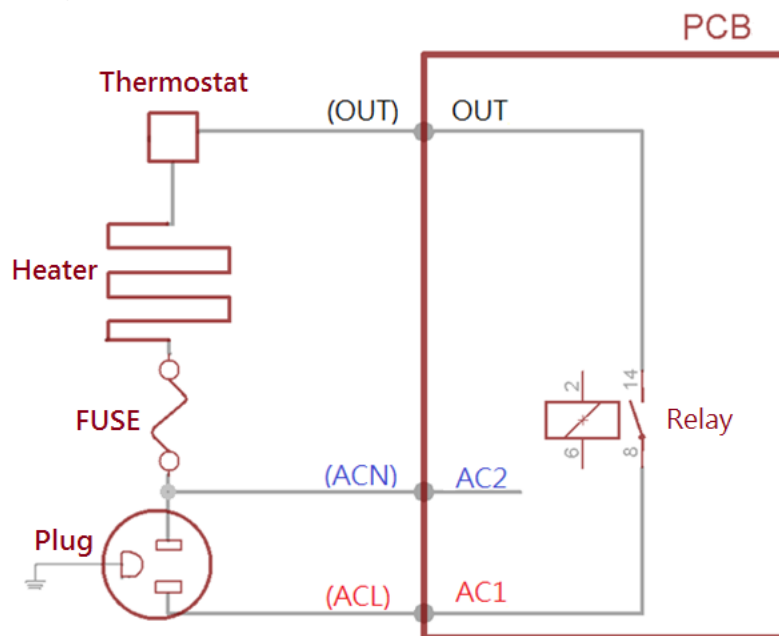


Referring to left figure, there are three soldering holes on the side of electronic iron controller and marked as OUT, AC1, and AC2 separately.

The AC1 and AC2 are AC inputs and connected to ACL and ACN individually; The OUT and AC2 are AC outputs and connected to the heating system of the electronic iron.

AC2 (Connected to ACN)  
 AC1 (Connected to ACL)  
 OUT

2. Wiring Diagram



**Electric iron controller**

Item No.	EIC01 Series	Description	Electric iron controller	Version	7
Page	6 of 6		Publish Date	Sep. 23, 2020	

● **PACKAGE**

	Part Number	Package	Quantity	Total	Dimension (mm)
1.	EIC01 Series	Bubble bag	1 pcs	1 pcs	55L*35W*15H
		Inner Box	100pcs	100 pcs	348L*191W*85H
		Carton	3 Boxes	300 pcs	364L*278W*213H

※Package shown as below for reference.(Temporary)



Bubble bags



Inner box



Carton

● **NOTES**

1. For the continued product improvement as one of the company policy, specifications may change or update without notice. The latest information can be obtained through our sales offices. Normally, all products are supplied under our standard conditions.

● **PRECAUTIONS FOR USE**

1. If the products is intended to be used for other endurance equipment requiring higher safety and reliability such as life support system, space and aviation devices, disaster and safety system, it's necessary to make verification of conformity or contact us for the details before using.
2. Please do not exceed the rated load as there will be a risk of disabling the product function
3. In the circuit, the “RBS switch” should not be near the magnetic component (for example: transformers, etc.).
4. There is AC current in this module. Recommended to use protection to avoid electric shock.

